

LEGEND

- ELECTRICAL SERVICES SWITCHBOARD.
- SWITCHBOARD / CONTROL PANEL NOT PROVIDED AS PART OF THE ELECTRICAL SUBCONTRACT.
- SINGLE POWER OUTLET.
- DOUBLE POWER OUTLET.
- SPECIAL PURPOSE POWER OUTLET.
- SIGNAGE CONNECTION.
- SINGLE PHASE ISOLATOR.
- THREE PHASE ISOLATOR.
- HAND DRYER CONNECTION.
- FLOOR BOX, TYPE AS NOTED.
- TABLE BOX, TYPE AS NOTED.
- RELOCATED ELECTRICAL SERVICES AS NOTED.
- PROXIMITY DETECTOR.
- LIGHTING CONTROL SWITCH PANEL x.
- ONE-WAY LIGHT SWITCH.
- TWO-WAY LIGHT SWITCH.
- CIRCUIT LINE.
- SWITCH LINE.
- POWER CIRCUIT DESIGNATION. DENOTES DB AND CIRCUIT.
- LIGHTING CONTROL CHANNEL REFERENCE.
- ELECTRICAL EQUIPMENT AS NOTED.
- RJ45 COMMUNICATIONS OUTLET.

LEGEND

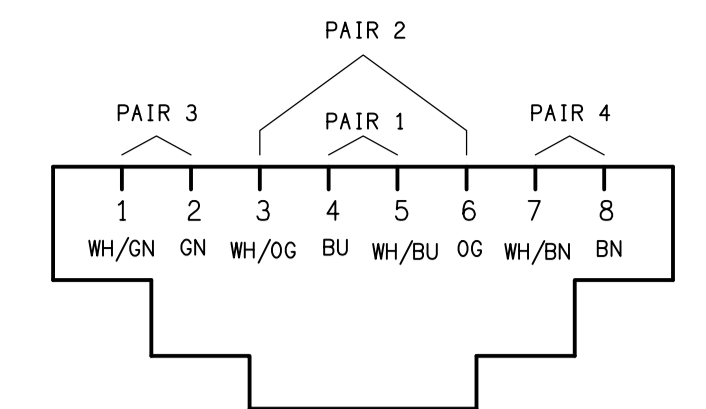
- FUSE.
- SINGLE PHASE.
- THREE PHASE.
- CURRENT TRANSFORMER C/W REMOVABLE LINK.
- FUSE LINK.
- COMBINED FUSE SWITCH.
- CIRCUIT BREAKER.
- ISOLATOR.
- RESIDUAL CURRENT DEVICE.
- CONTACTOR - NORMALLY OPEN.
- CONTACTOR - NORMALLY CLOSED.
- REFER TO DETAIL NOTED FOR THE AREA SHOWN HATCHED. ADDITIONAL OUTLETS & FITTINGS MAY BE SHOWN ON DETAIL.
- Sx: LED STRIP LIGHT, TYPE AS NOTED.
- E1: GENERAL LED EMERGENCY LIGHT.
- EX: EMERGENCY LED EXIT LIGHT.
- Lx: LIGHT FITTING C/W NON-MAINTAINED EMERGENCY BATTERY PACK. TYPE AS NOTED.
- L1: OVERHEAD CUPBOARD SPLASHBACK LED STRIP LIGHT.
- L2: 600 x 600 T-BAR LED FLAT PANEL.
- L3: 300 x 1200 T-BAR LED FLAT PANEL.
- L4: 600 x 600 RECESSED PLASTER BOARD LED FLAT PANEL.
- L5: 300 x 1200 RECESSED PLASTER BOARD LED FLAT PANEL.
- L6: CIRCULATION RECESSED SWITCHED DOWNLIGHT.
- L7: DECORATIVE SWITCH PENDANT.
- L8: RECESSED SWITCHED DOWNLIGHT.
- L9: RECESSED DALI DIMMABLE DOWNLIGHT.
- L10: SUSPENDED BULKHEAD SWITCHED LED MODULE LIGHT BOX.
- L11: EXISTING RECESSED DOWNLIGHT TO BE RELOCATED.

NOTE

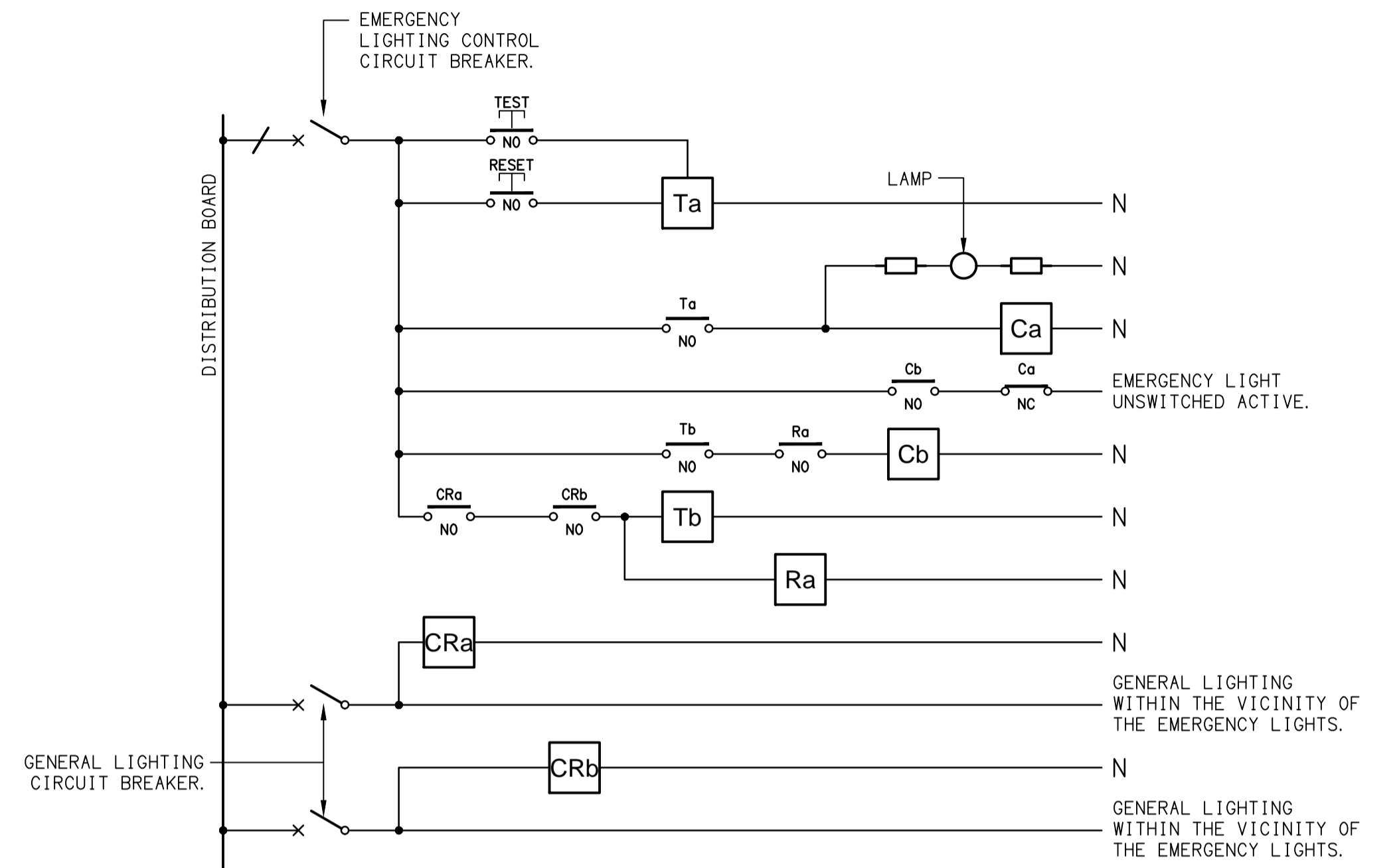
ALL ELECTRICAL PENETRATIONS THROUGH THE ROOF SHEETING ARE TO BE IN LINE WITH THE STRUCTURAL OR MECHANICAL SERVICES PENETRATIONS TO AVOID DEDICATED FLASHINGS FOR THE ELECTRICAL SERVICES.

EQUIPMENT:

- TEST - TEST PUSH BUTTON MOUNTED ON THE DISTRIBUTION BOARD ESCUTCHEON.
- RESET - RESET PUSH BUTTON MOUNTED ON THE DISTRIBUTION BOARD ESCUTCHEON.
- LAMP - AMBER TEST INDICATING LAMP MOUNTED ON THE DISTRIBUTION BOARD ESCUTCHEON.
- Ta - ADJUSTABLE 0-3 HOUR TIMED RELAY.
- Tb - 15 MINUTE RUN-ON TIMER TO OPERATE UPON THE RETURN OF MAINS POWER.
- Cx - CONTACTOR x.
- CRx - CONTROL RELAY x.
- Rx - RELAY x.



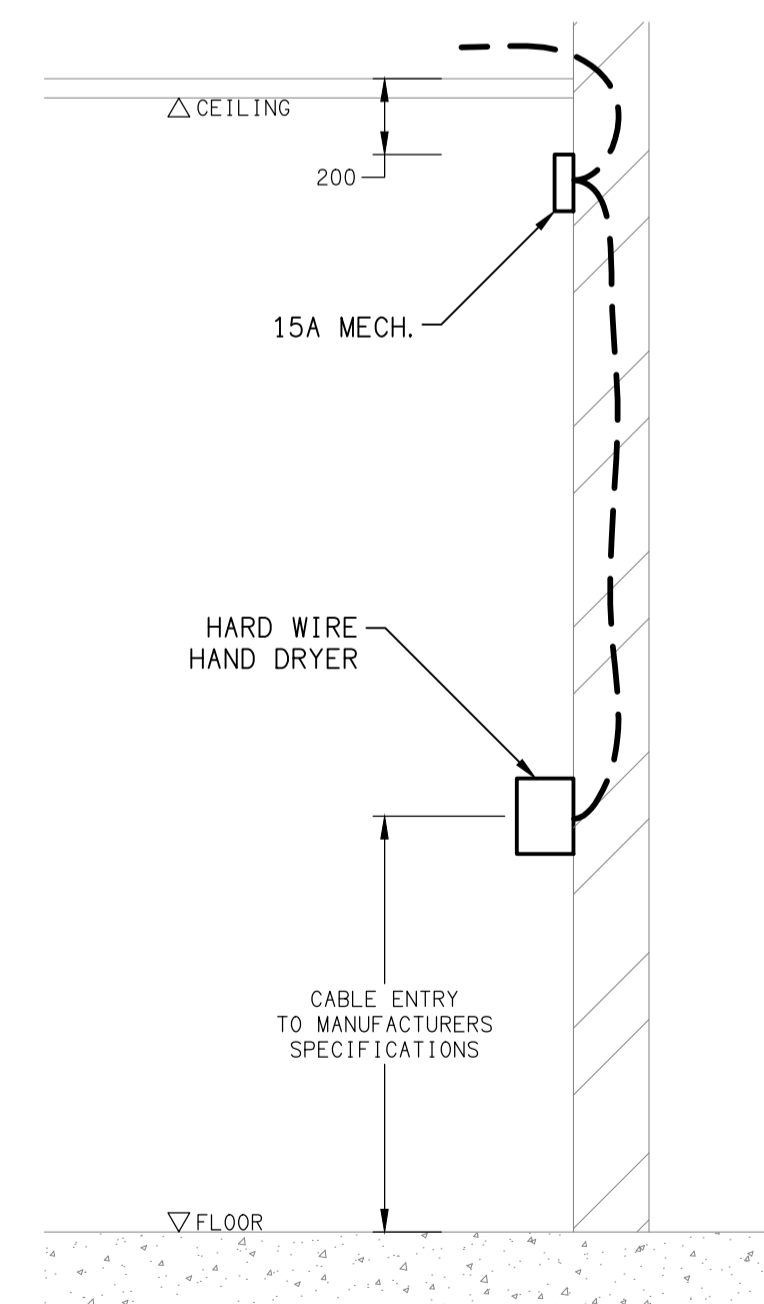
SCHEMATIC
RJ45 PINOUT CONFIGURATION
NOT TO SCALE



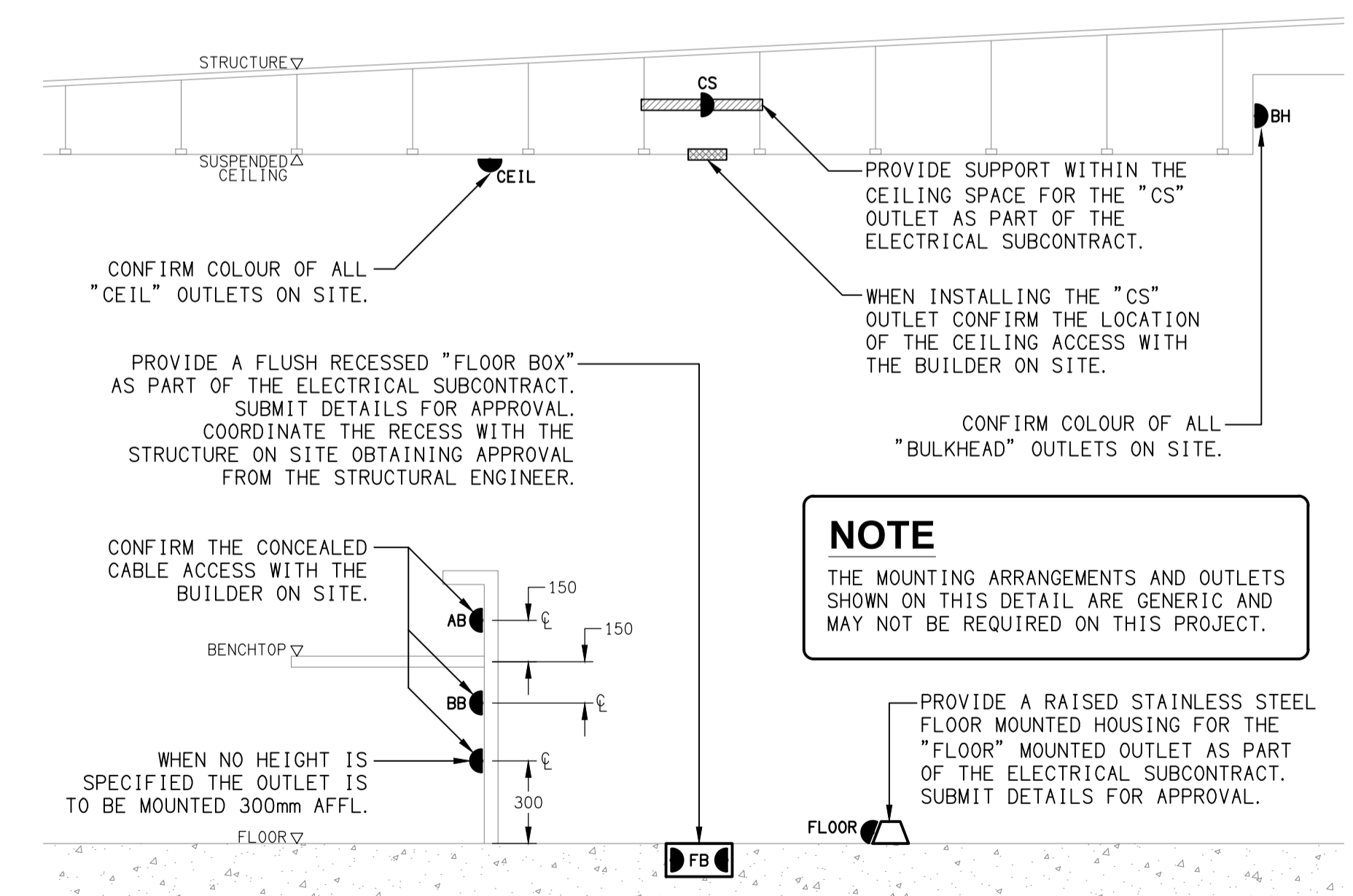
NOTES

1. THE EMERGENCY LIGHT UNSWITCHED ACTIVE / GENERAL LIGHTING SWITCHED ACTIVE CIRCUIT ARRANGEMENT AND CONTROL IS TYPICAL FOR ALL CIRCUITS SUPPLYING EMERGENCY LIGHTS.
2. PROVIDE ADDITIONAL CONTROL RELAYS (CRx) CONFIGURED AS PER CRa AND CRb FOR ALL ADDITIONAL LIGHTING CIRCUITS THAT SUPPLY LIGHTS IN THE VICINITY OF THE EMERGENCY LIGHTS.

SCHEMATIC
EMERGENCY LIGHTING
NOT TO SCALE



DETAIL
HAND DRYER CONNECTION
NOT TO SCALE



DETAIL
TYPICAL OUTLET MOUNTINGS
NOT TO SCALE

ELECTRICAL DESIGN GROUP BRISBANE PTY LTD
ACN 092 710 793
TRADING AS:
ELECTRICAL DESIGN GROUP

THE COPYRIGHT OF THIS DRAWING REMAINS THE PROPERTY OF THE ELECTRICAL DESIGN GROUP.
USE FIGURED DIMENSIONS IN PREFERENCE TO SCALE.
ALL DIMENSIONS TO BE VERIFIED ONSITE.

ELECTRICAL DESIGN GROUP
ELECTRICAL BUILDING SERVICES CONSULTANTS
BRISBANE GOLD COAST
P.O. Box 15, Sherwood Q.4075
Phone: (07) 3278 4375
Email: brisbane@edg.net.au
Web: www.edg.net.au

PROJECT:
SUNNYBANK COMMUNITY SPORTS CLUB
470 McCULLOUGH STREET, SUNNYBANK

A	PRELIMINARY	03/06/2024
REV:	DESCRIPTION:	DATE:
DRAWING: ELECTRICAL SERVICES LEGEND, SCHEMATICS & DETAILS		
SCALE: NOT TO SCALE AT A1	PROJECT NO: C3179a	DRAWING NO: E01
		REVISION: A